

NOTES: UNLESS OTHERWISE SPECIFIED

1. USE TEFLON® PIPE-SEALING TAPE. OVERLAP 1/2 - 1 TURN.

WARNING: THIS ASSEMBLY IS TO BE USED WITH VACUUM PRESSURE ONLY. SERIOUS INJURY MAY OCCUR IF GLASS BODY IS SUBJECTED TO POSITIVE INTERNAL PRESSURE!

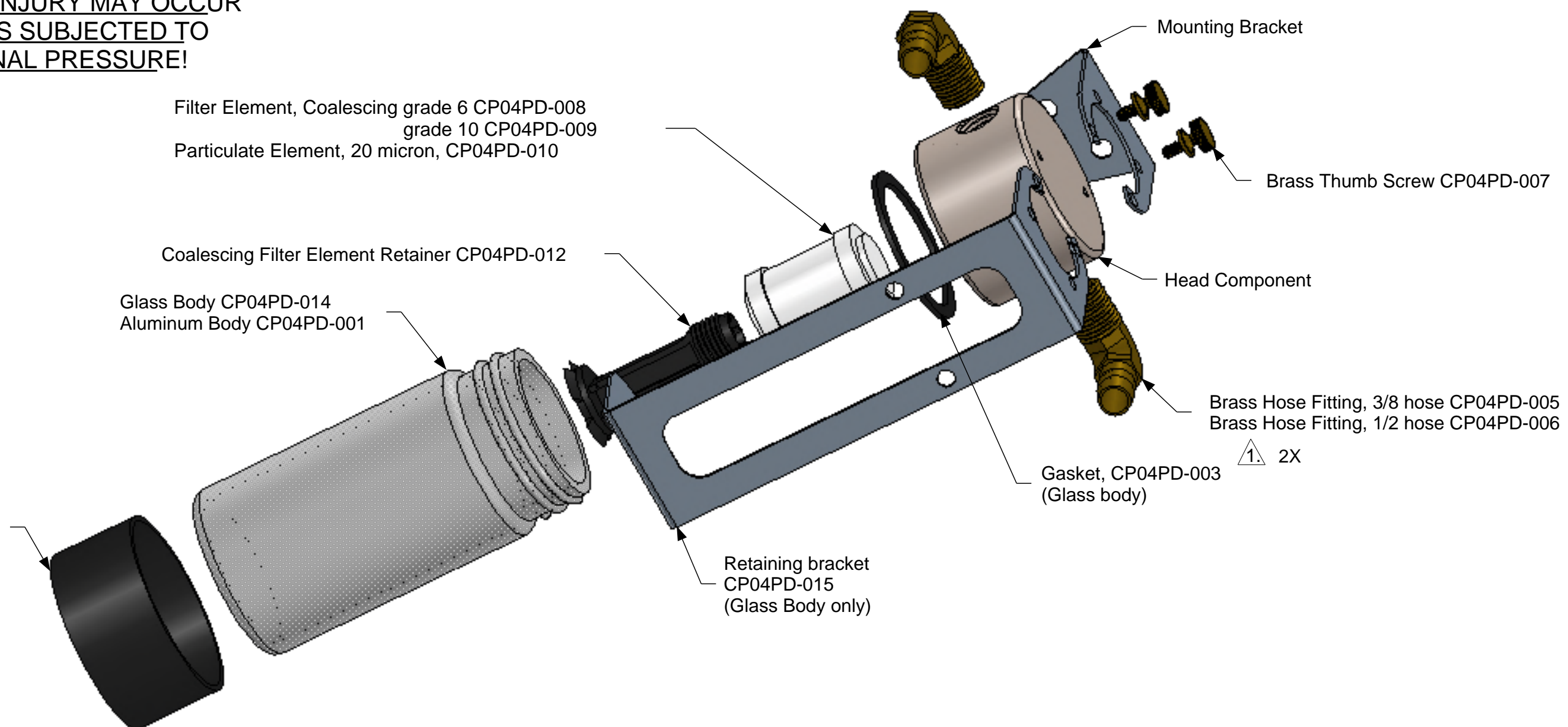
REVISIONS				
ECO NO.	REV	DESCRIPTION	DATE	APPROVED
	XA	PROTOTYPE RELEASE		

Filter Element, Coalescing grade 6 CP04PD-008
 grade 10 CP04PD-009
 Particulate Element, 20 micron, CP04PD-010

Coalescing Filter Element Retainer CP04PD-012

Glass Body CP04PD-014
 Aluminum Body CP04PD-001

Vinyl Cap CP04PD-014



PROPRIETARY INFORMATION

This document contains information proprietary to Conceptual Polymer and shall not be disclosed, duplicated or used as a basis for design, manufacture, or sale of apparatus without express written permission of Conceptual Polymer.

THIRD ANGLE PROJECTION		UNLESS OTHERWISE SPECIFIED, DIMENSIONS ARE IN INCHES. 63 ✓ TOLERANCES: DECIMALS: .XX ± .01 .XXX ± .005 ANGLES: 1.5 ° DRILLED HOLES: n0- n .500: +.005 n.501-n 1.000: +.008 -.002 - .004	CONTRACT NO.		Conceptual Polymer San Diego, CA www.conceptualpolymer.com			
			APPROVALS		DATE		TITLE	
			DRAWN	D. SULLI	011208		ASSEMBLY, KIT, FILTER	
			DESIGNED	D. SULLI	110707			
NEXT ASSY	FINAL ASSY	DO NOT SCALE DRAWING		MFG. ENG.			SIZE	FSCM NO.
APPLICATION				RELEASED			DWG NO	REV
							CP04PA009	XA
					SCALE 1:1		SHEET	1 OF 1